

MMH14

Mobile Mud Hog®

Owner's Manual

Serial Number _____



Before using this Mobile Mud Hog®, study entire Owner's Manual.



WARNINGS

1. The **Mobile Mud Hog®** is a material mixing and delivery system, and is not intended for any other use.



2. Make sure anyone operating the **Mobile Mud Hog®** is thoroughly familiar with its operation. Keep all unauthorized and untrained personnel, especially children, away from **Mobile Mud Hog®**.

Model	Empty Weight	Max Gross Weight
MMH14	1043 lbs.	3043 lbs.

3. Consult skid steer or lift manufacturer's specifications to insure load capacity is not exceeded.

4. Never run machine with safety grill, guards, or safety devices removed or opened. Keep all guards in place.

5. Stay clear of mixing paddles while machine is running. Keep all body parts, solid objects, clothing, and jewelry away from all moving parts.

6. Never perform any work on the **Mobile Mud Hog®** while it is running. Before working on the **Mobile Mud Hog®** shut off engine and disconnect hydraulic hoses.



7. Avoid contact with hot hydraulic fluid. Allow system to cool before performing any repairs or service.

8. Never leave operators seat on skid steer while the **Mobile Mud Hog®** is operating.

9. Never stand under an elevated **Mobile Mud Hog®**.

10. Never ride the **Mobile Mud Hog®**.

11. Never operate the **Mobile Mud Hog®** under the influence of alcohol, drugs, or medications.

12. **Use only factory authorized parts.**

13. Inspect and replace or repair all hoses, fasteners, bolts, and welds for cracks, nicks, cuts, damage, wear, or looseness before each use.

14. Only lift **Mobile Mud Hog®** from lifting channels or quick attach plate.



15. Always wear approved safety glasses, hearing protection, and hard hats when operating or servicing the **Mobile Mud Hog®**.

16. Do not use the **Mobile Mud Hog®** as a lifting device or with accessories or attachments not recommended by **EZ Grout** as damage to equipment or injury to operator may result.

17. Do not operate near combustible materials.

18. Always know the location of the nearest fire extinguishers, first aid kit, and emergency personnel phone numbers in case of emergency.

19. The disposal of used lubricants or hazardous materials must comply with all governmental regulations.



Mobile Mud Hog®
EZ Grout Corporation
1-800-417-9272

EZ Grout Corporation
405 Watertown Road
Waterford, Ohio 45786
(740) 749-3512 or 1-800-417-9272
Fax (740) 749-0602 www.ezgrout.com

Operating Instructions



1. **WARNING: To Avoid Injury or Death**-This equipment is to be operated only by trained and qualified personnel over the age of 18.
2. Set **Mobile Mud Hog®** securely on level and even ground.
3. Attach the **Mobile Mud Hog®** to your skid steer. Consult skid steer owner's manual for hookup.
4. Connect hydraulic hoses to skid steer.
5. Cycle all hydraulic motions to verify the **Mobile Mud Hog®** is operating correctly. Verify that the gate opens and closes completely and moves smoothly throughout its travel of operation.
6. Fill with material, add water and mix to desired consistency.



Warning: Do not leave operators seat with Mobile Mud Hog® running.

NOTE: In the unlikely event the mixing paddles plug. Close valve on gate cylinder, then momentarily reverse paddles.

7. Transport mix to desired location. Reverse paddle rotation to open gate and dispense mixture.



Warning: NEVER put your hand or any body part inside mixer drum or near discharge gate while engine is running.

Cleanup

1. Turn off engine and disconnect hydraulic hoses.
2. For maximum performance, thoroughly clean inside and out at midday or lunch break and again at the end of each day's use. Do not allow a buildup of materials to form on the blades and seals.
3. Hose out and brush down mixing drum, then spray and brush paddles and gate area until all excess material is removed.
4. Grease the fittings and brush the face of drum seals until clean.

Daily Maintenance

1. Check and grease all grease fittings.
2. For maximum performance, thoroughly clean inside and out at mid-day or lunch break and again at the end of each day's use. Do not allow a buildup of materials to form on the blades and seals.
3. Check all hydraulic hoses and equipment for leaks. Fix any leaks before operating the **Mobile Mud Hog®**.
4. Check all welds and bolts. If a cracked weld is found, do not operate the **Mobile Mud Hog®** until repaired by qualified personnel. Tighten any loose bolts.
5. Check Paddle Shaft Seal for excessive wear. If any mortar or concrete is leaking past the seal, change it immediately.
6. Check Paddle Rubbers for wear. Adjust or replace as needed.
7. Store properly in a clean dry location.

Obtaining Spare Parts

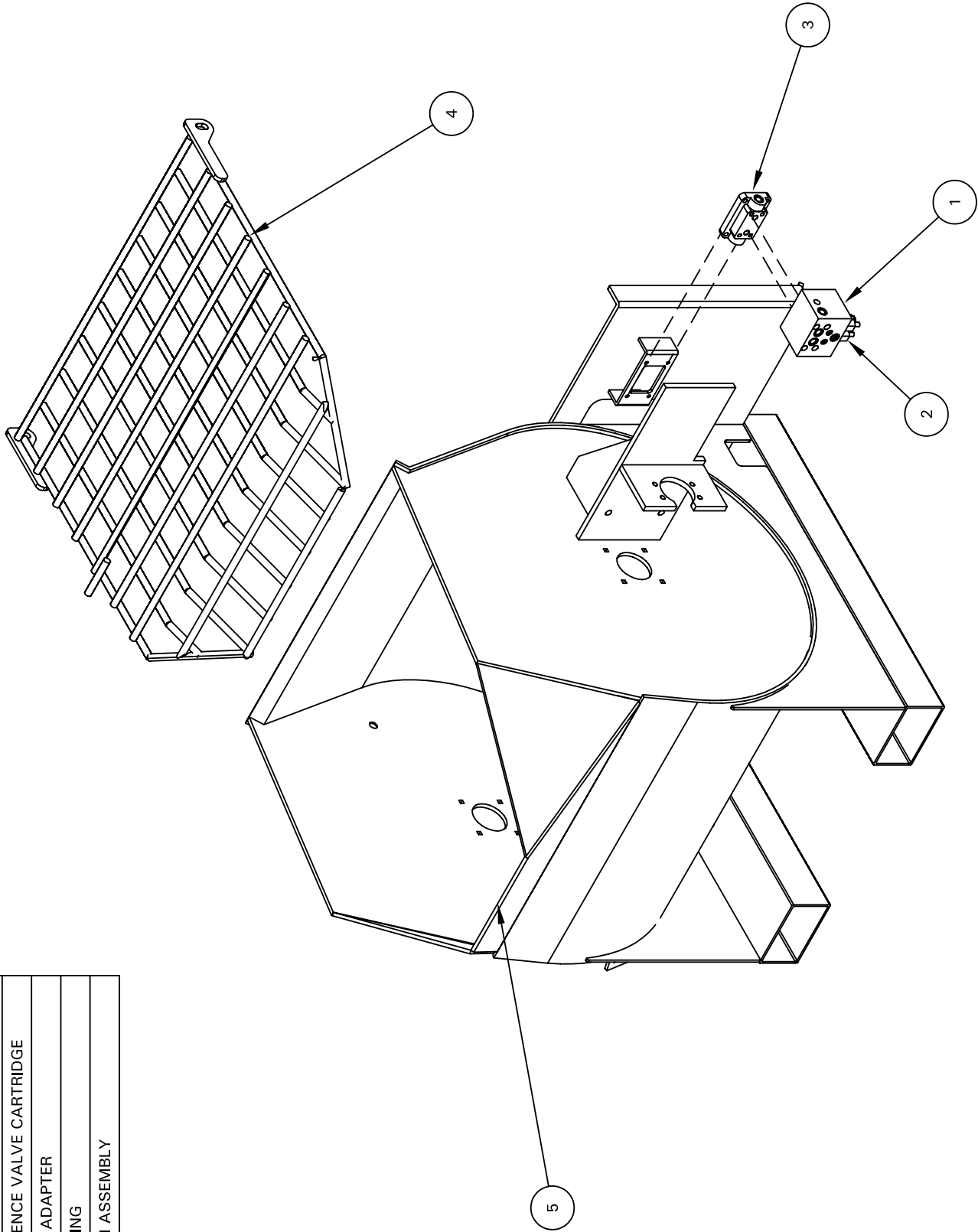
Spare parts for you **Mobile Mud Hog®** may be obtained by the following procedure:

1. Record the information from the serial number tag located on the frame.
2. Using the parts reference table in this manual, record the part number and component.
3. Contact your local **Mobile Mud Hog®** dealer or **EZ Grout Corporation** at 1-800-417-9272 with the information recorded.

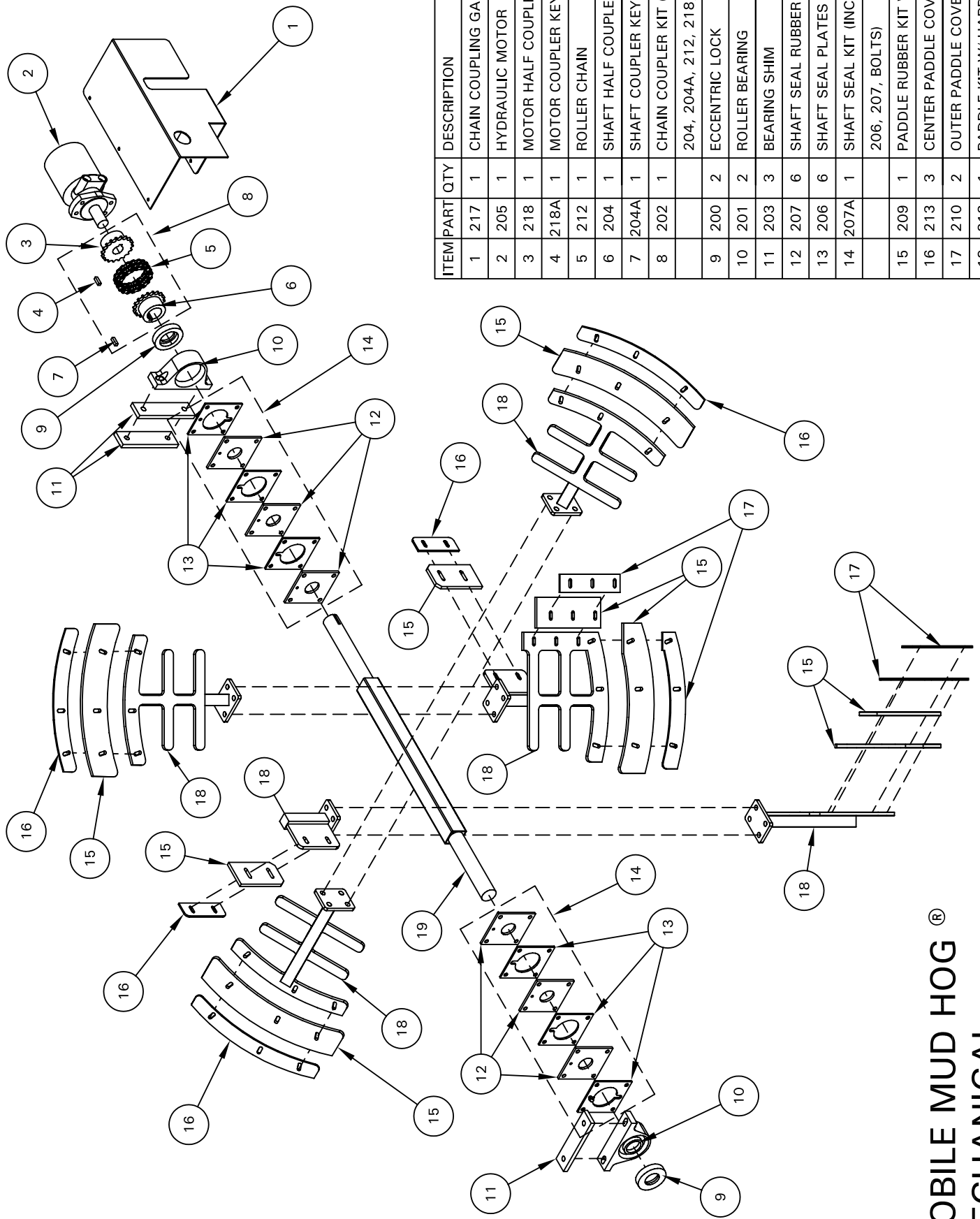


Warning Decals - For your safety and the safety of others, replace any damaged or missing warning decals by contacting the manufacturer at 1-800-417-9272

ITEM	PART	QTY	DESCRIPTION
1	021B	1	SEQUENCE VALVE ASSEMBLY
2	021C	2	SEQUENCE VALVE CARTRIDGE
3	315	1	PORT ADAPTER
4	316	1	GRATING
5	317	1	DRUM ASSEMBLY



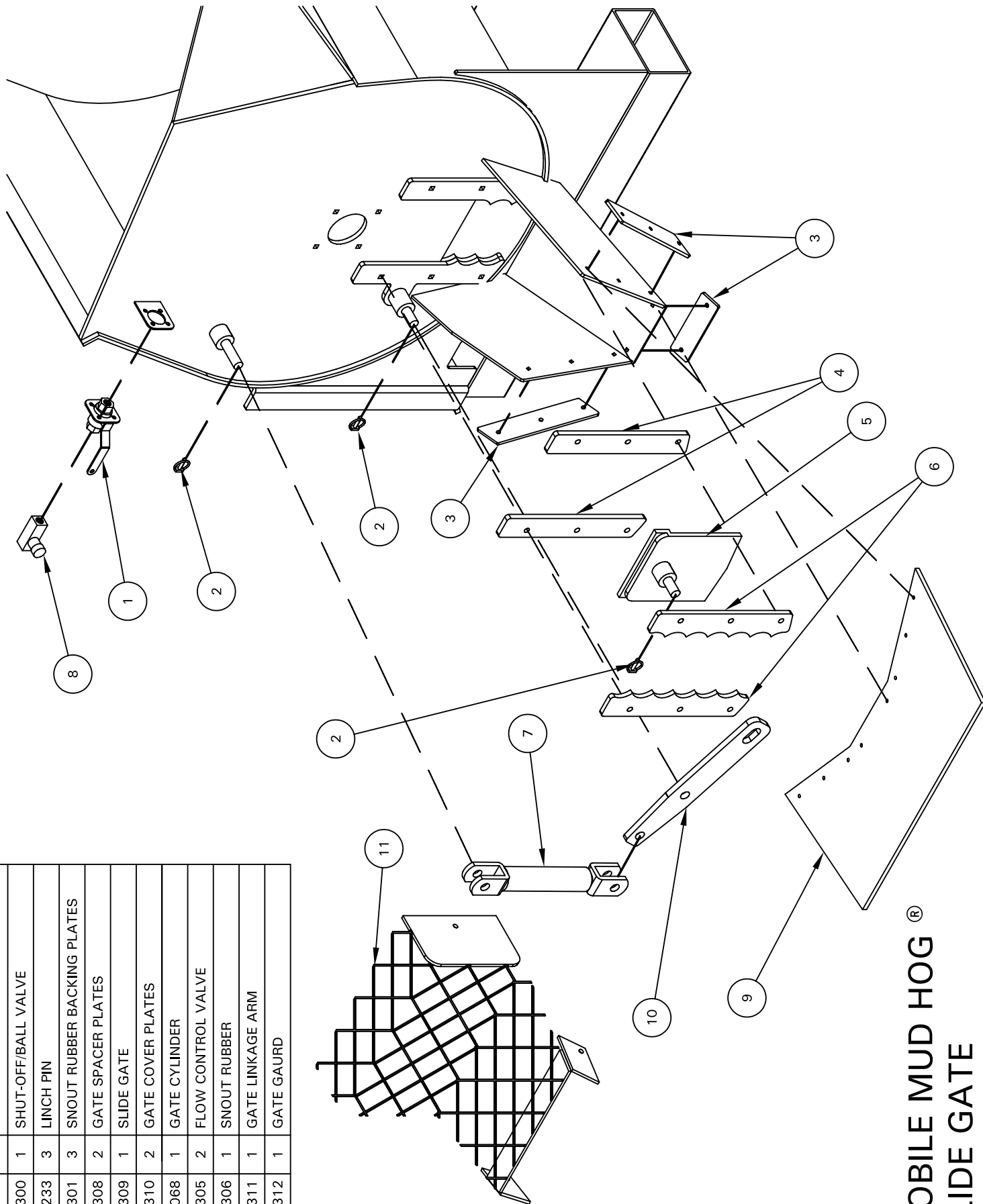
MOBILE MUD HOG[®]
FRAME



ITEM	PART	QTY	DESCRIPTION
1	217	1	CHAIN COUPLING GAURD
2	205	1	HYDRAULIC MOTOR
3	218	1	MOTOR HALF COUPLER
4	218A	1	MOTOR COUPLER KEY
5	212	1	ROLLER CHAIN
6	204	1	SHAFT HALF COUPLER
7	204A	1	SHAFT COUPLER KEY
8	202	1	CHAIN COUPLER KIT (INCLUDES 204, 204A, 212, 218, 218A)
9	200	2	ECCENTRIC LOCK
10	201	2	ROLLER BEARING
11	203	3	BEARING SHIM
12	207	6	SHAFT SEAL RUBBER
13	206	6	SHAFT SEAL PLATES
14	207A	1	SHAFT SEAL KIT (INCLUDES 206, 207, BOLTS)
15	209	1	PADDLE RUBBER KIT W/ BOLTS
16	213	3	CENTER PADDLE COVER
17	210	2	OUTER PADDLE COVER
18	313	1	PADDLE KIT W/ HARDWARE
19	314	1	PADDLE SHAFT (14 CU. FT.)

MOBILE MUD HOG[®]
MECHANICAL

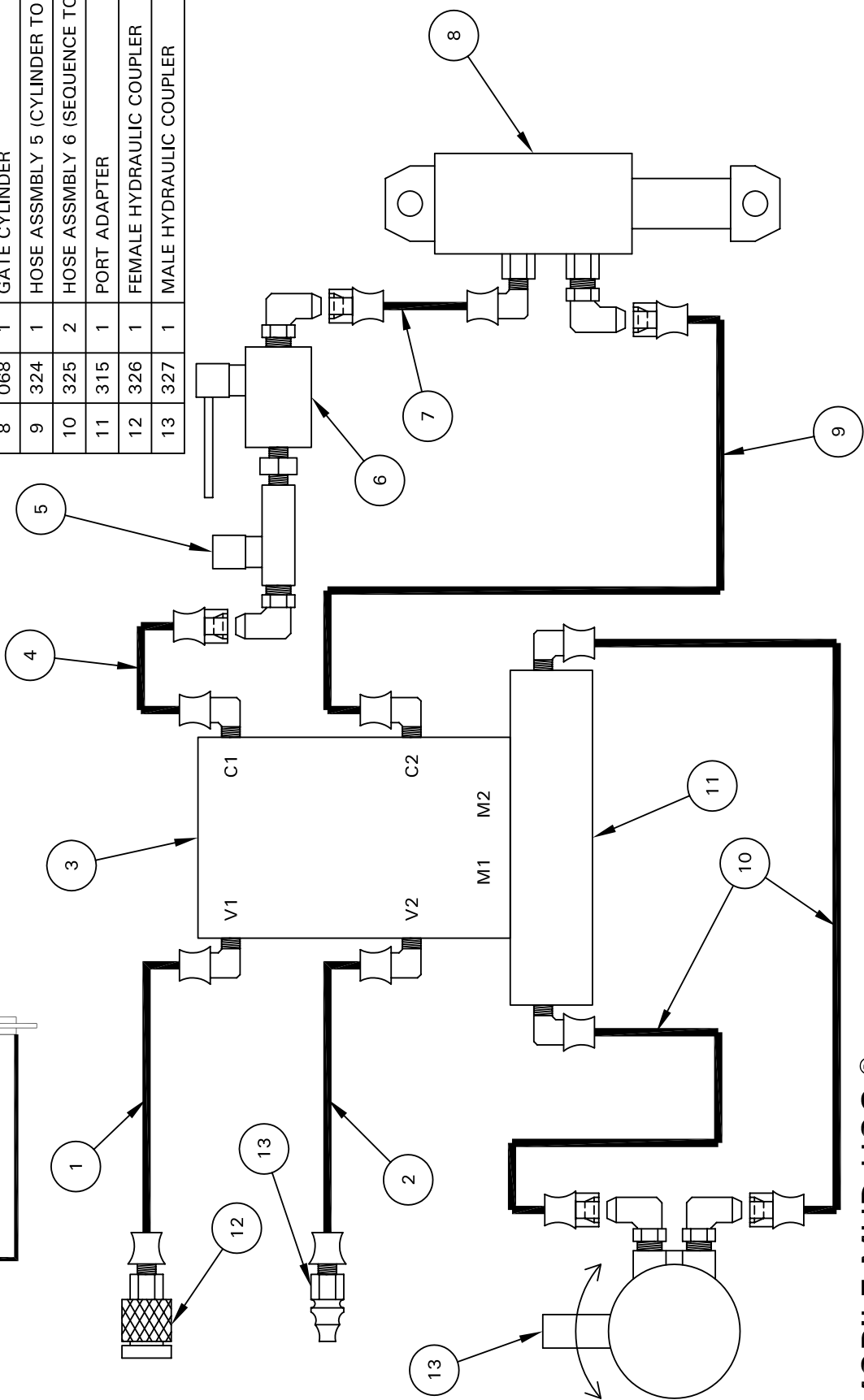
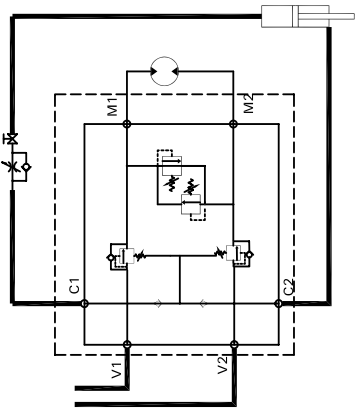
ITEM	PART	QTY	DESCRIPTION
1	300	1	SHUT-OFF/BALL VALVE
2	233	3	LINCH PIN
3	301	3	SNOUT RUBBER BACKING PLATES
4	308	2	GATE SPACER PLATES
5	309	1	SLIDE GATE
6	310	2	GATE COVER PLATES
7	068	1	GATE CYLINDER
8	305	2	FLOW CONTROL VALVE
9	306	1	SNOUT RUBBER
10	311	1	GATE LINKAGE ARM
11	312	1	GATE GAURD



MOBILE MUD HOG®
SLIDE GATE

ITEM PART QTY DESCRIPTION

1	318	1	HOSE ASSEMBLY 1 (SUPPLY)
2	319	1	HOSE ASSEMBLY 2 (SUPPLY)
3	021B	1	SEQUENCE VALVE ASSEMBLY
4	320	1	HOSE ASSEMBLY 3 (SEQUENCE TO METERING)
5	305	1	FLOW CONTROL VALVE
6	300	1	SHUT-OFF BALL VALVE
7	323	1	HOSE ASSEMBLY 4 (BALL TO CYLINDER)
8	068	1	GATE CYLINDER
9	324	1	HOSE ASSEMBLY 5 (CYLINDER TO SEQUENCE)
10	325	2	HOSE ASSEMBLY 6 (SEQUENCE TO MOTOR)
11	315	1	PORT ADAPTER
12	326	1	FEMALE HYDRAULIC COUPLER
13	327	1	MALE HYDRAULIC COUPLER



MOBILE MUD HOG®
SLIDE GATE HYDRAULICS

NOTES

Limited Warranty

The Manufacturer warrants that products manufactured shall be free from defects in material and workmanship that develop under normal use for a period of one year on all products from the date of shipment. The foregoing shall be the exclusive remedy of the buyer and the exclusive liability of the Manufacturer. Our warranty excludes normal replaceable wear items, i.e. gaskets, wear parts, seals, O-rings, belts, drive chains, clutches, etc. Any equipment, part or product which is furnished by the Manufacturer but Manufactured by another, bears only the warranty given by such other manufacturer. (Manufacturer agrees to furnish free of charge the Warranted Parts only upon receipt of the defective parts and a written description of problem or cause.) Warranty is voided by product abuse, alterations, use of equipment in applications for which it was not intended, use of non-manufacturer parts, or failure to follow documented service instructions. The foregoing warranty is exclusive of all other warranties whether written or oral, expressed or implied. No warranty of merchantability or fitness for a particular purpose shall apply. The agents, dealers and employees of Manufacturer are not authorized to make modifications to this warranty, or additional warranties binding on Manufacturer. Therefore, additional statements, whether oral or written, do not constitute warranty and should not be relied upon.

The Manufacturer's sole responsibility for any breach of the foregoing warranty provisions respect to any product or part

not conforming to the Warranty or the description herein contained, is at its option (a) to repair replace or refund such product or parts upon the prepaid return thereof to location designated specifically by the Manufacturer. Product returns not shipped prepaid or on an economical transportation basis will be refused (b) as an alternative to the foregoing modes of settlement the Manufacturer's dealer to repair defective units with reimbursement for expenses, except labor, and be reviewed with the Manufacturer prior to repair. A written description of problem or cause must accompany all warranty claims.

Except as set forth here in above and without limitations of the above, there are no warranties or other affirmations which extend beyond the description of the products on the fact hereof, or as to operational efficiency, product reliability or maintainability or compatibility with products furnished by others. In no event whether as a result of breach of contract or warranty or alleged negligence, shall the Manufacturer be liable for special or consequential damages including but not limited to: Loss of profits or revenue, loss of use of the product or any associated product, cost or capital, cost of substitute products, facilities or services or claims of customers.

No claim will be allowed for products lost or damaged in transit. Such claims should be filed with the carrier within fifteen days.

Effective April 1, 2004