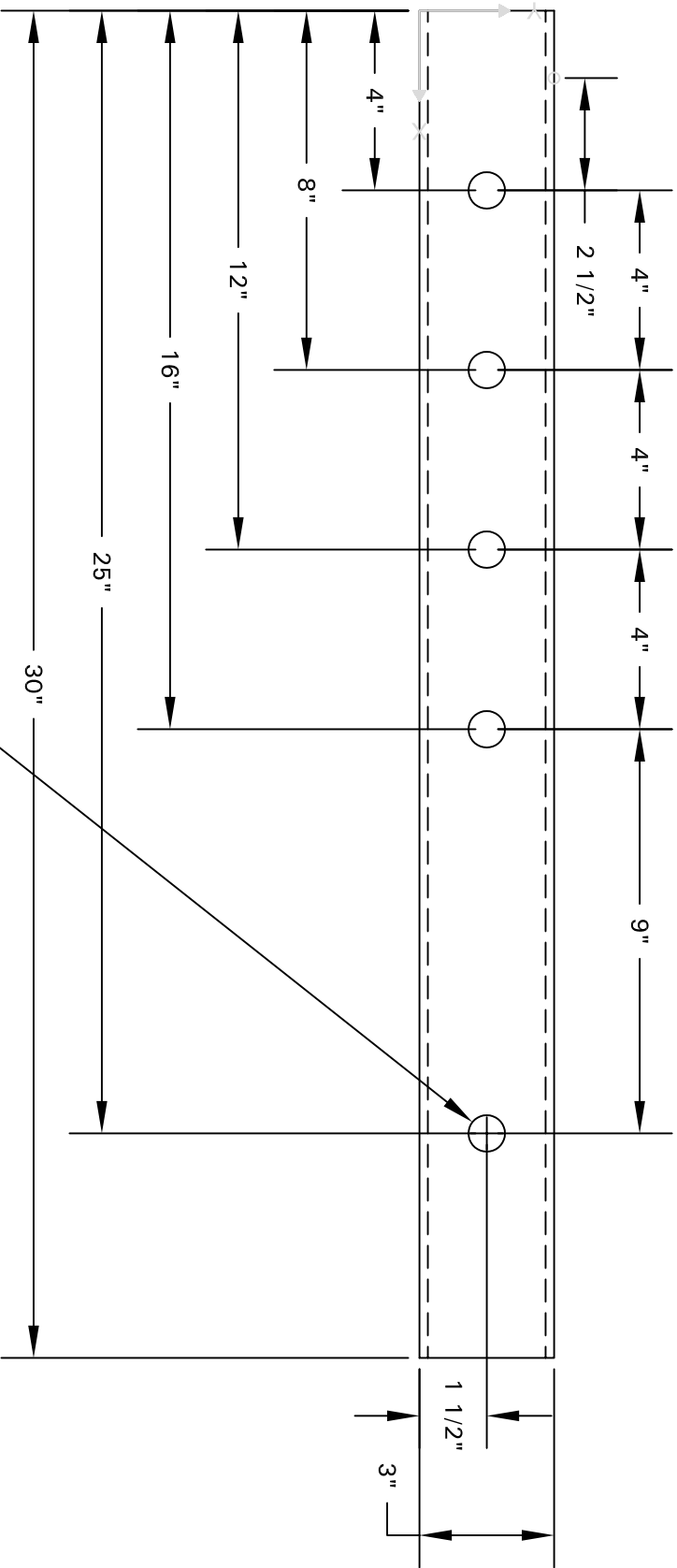


FH-TSB-001 Fence Hog[®] Stretcher Assembly Parts



DRILL Ø13/16" FOR
STRETCHER RETROFIT

- NOTE:
 1) USE 3"sq X 3/16" w TUBE
 2) (2) REQUIRED

REV	DATE	DESCRIPTION	DWG	CKD
A	06/10/04	ADDED HOLE FOR STRETCHER	SRL	

FENCE HOG®
 DRIVE FORWARD ARM OUTRIGGER

EZ-GROUT, CORP.
 5950 S. E. RT. 60
 MCCONELSVILLE, OH 43756

DWG BY: Scott R. Lang

DWG NO.: FH-24-19

SCALE: 1" = 4"

All drawings are sole property of EZ-Grout Corp., McConeelsville, Ohio. Copying or changing drawing is only prohibited with consent of owner.

DWG DATE: 04/28/04

CHECKED BY:

CHECK DATE:

SHEET NUMBER OF

REV. A