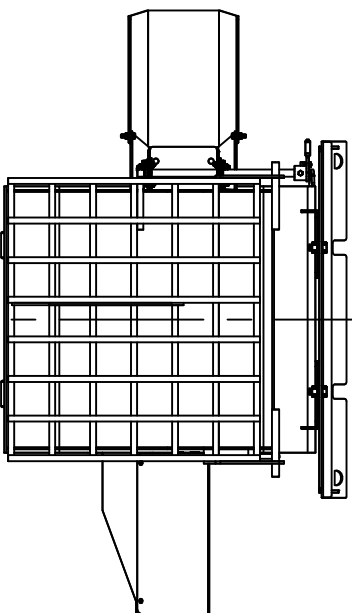


- Features:
- 1) Optimal 6GPM @ 2500 PSI
  - 2) Maximum 17 GPM @ 3000 PSI
  - 3) Manual actuated discharge gate
  - 4) Universal Compact, Bobcat® MT Series, and Universal Skid Steer Attachment Plates Available (Purchase Separate)
  - 5) Standard 10" wheel to help support weight
  - 6) Empty Weight 600 lb/ 272 kg
  - 7) Gross Weight 1950 lb/ 885 kg



MMH9 Mobile Mud Hog®  
Overall Dimensions

All drawings are sole property of EZ-GROUT Corp., McCConnellsville, Ohio. Copying or changing drawing is only prohibited with consent of owner.		EZ-GROUT, CORP. 5950 S. E. RT. 60 MCCONNELSVILLE, OH 43756		DWG NO.: SCALE:	
DWG BY: Scott R. Lang		DWG DATE: 08/04/10		CHECK DATE:	
CHECKED BY:		SHEET NUMBER OF		REV.	